

The logo for ALUMINOX is displayed in a white rectangular box. The word "ALUMINOX" is written in a bold, sans-serif font. The letters "ALUMIN" are in blue, and the "OX" is in red. The letter "O" is a solid red circle, and the letter "X" is blue with a red outline.

Foodservice, Hotel and Hospitality  
Since 1929

Grand Hyatt Athens 5\*



Daios Cove Crete 5\* Hotel



ISTION Club Hotel Halkidiki 5\*



Rodos Elysium 5\* Hotel



  
COOKOOVAYA  
WISE CUISINE

CookooVaya Wise Cuisine



NOLAN



Rodos Palladium 5\* Hotel



I Resort Beach Hotel & Spa 5\*



Wellness Santa Hotel Thessaloniki 5\*



Rodos Lindos Blu 5\* Hotel

# Aluminox Catalogue

## Aluminox Stainless Steel Catalogue

- **Cupboards 600-700mm deep**
  - Sliding doors
  - Hinged doors
  - Open
  - Espresso cupboards
- Wall Cupboards
  - With Sliding Doors
  - With Hinged Doors
- Double Cupboards
- Wall mounted shelves
  - Solid Mounted
  - Tubular Mounted
    - For Laundry Baskets
- Rack Shelves – Rack Stands
- Working Tables 600-700mm deep
- Dish Receiving Tables
- Washing Inlet – Outlet Tables
- Washing Tables 600-700mm deep
- Cocktail Stations
- Accessories

# STAINLESS STEEL CUPBOARDS 600-700mm



## ALUMINOX CUPBOARDS 600 - 700MM DEEP WITH SLIDING DOORS

- From stainless steel 18/10 AISI Satin Finish.
- Working surface from stainless steel 1,5mm thickness AISI 304 satin finish, with  $\Pi$  reinforcement from 1,5mm stainless steel AISI 304.
- Cabinet walls from stainless steel 1,5mm thickness AISI 304 satin finish.
- Heavy-duty middle shelf, height adjustable from stainless steel AISI 304 satin with  $\Omega$  reinforcement.
- Floor from stainless steel 1 mm thick stainless AISI 304 satin with  $\Omega$  reinforcement.
- Sliding doors, with inner insulation from 1mm thickness stainless steel AISI 304 satin.
- Optional door locking system.
- Feet adjustable +50mm in height
- Splashback 100mm optional



## ALUMINOX CUPBOARDS 600 - 700MM DEEP WITH HINGED DOORS

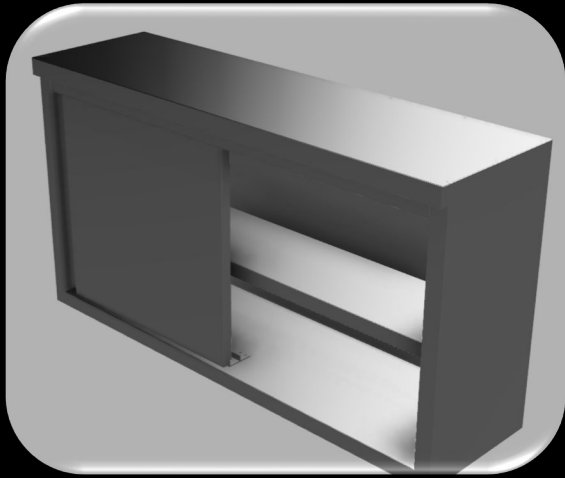
- From stainless steel 18/10 AISI Satin Finish.
- Working surface from stainless steel 1,5mm thickness AISI 304 satin finish, with  $\Pi$  reinforcement from 1,5mm stainless steel AISI 304.
- Cabinet walls from stainless steel 1,5mm thickness AISI 304 satin finish.
- Heavy-duty middle shelf, height adjustable from stainless steel AISI 304 satin with  $\Omega$  reinforcement.
- Floor from stainless steel 1 mm thick stainless AISI 304 satin with  $\Omega$  reinforcement.
- Double-skinned reversible doors with inner insulation from 1mm thick stainless steel AISI 304 satin.
- Powerful magnetic closing of doors.
- Optional padlock system for locking the cabinet.
- Feet adjustable +50mm in height
- Splashback 100mm optional



## ALUMINOX CUPBOARDS 600 - 700MM DEEP OPEN WITHOUT DOORS

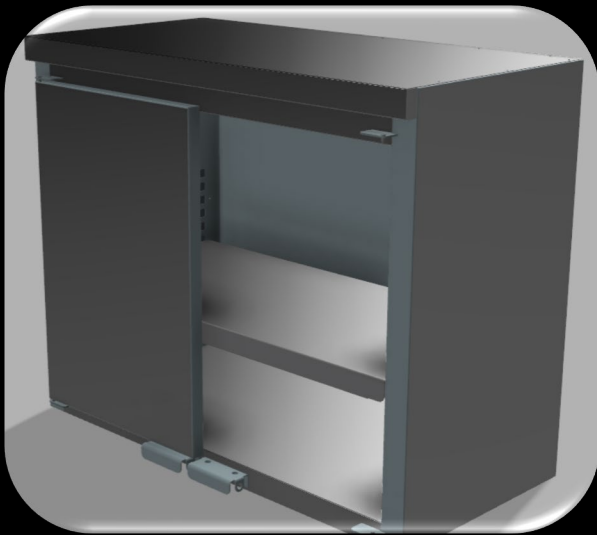
- From stainless steel 18/10 AISI Satin Finish.
- Working surface from stainless steel 1,5mm thickness AISI 304 satin finish, with  $\Pi$  reinforcement from 1,5mm stainless steel AISI 304.
- Cabinet walls from stainless steel 1,5mm thickness AISI 304 satin finish.
- Heavy-duty middle shelf, height adjustable from stainless steel AISI 304 satin with  $\Omega$  reinforcement.
- Floor from stainless steel 1 mm thick stainless AISI 304 satin with  $\Omega$  reinforcement.
- Feet adjustable +50mm in height
- Splashback 100mm optional

# Wall Cupboards



## ALUMINOX WALL CUPBOARDS WITH SLIDING DOORS

- Manufactured from stainless steel 1,5mm thickness AISI 304 satin finish.
- The doors of the cabinet are sliding double skinned
- Optionally there is a locking mechanism or a blade for locking the doors.
- Heavy-duty shelf, adjustable in height from stainless steel sheet AISI 304 satin finish with  $\Omega$  reinforcement.



## ALUMINOX WALL CUPBOARDS WITH HINGED DOORS

- Manufactured from stainless steel 1,5mm thickness AISI 304 satin finish.
- The doors of the cabinet are hinged, double skinned.
- Powerful magnetic closure
- Optionally there is a locking mechanism or a blade for locking the doors.
- Heavy-duty shelf, adjustable in height from stainless steel sheet AISI 304 satin finish with  $\Omega$  reinforcement.

# DOUBLE CUPBOARDS



## ALUMINOX DOUBLE CUPBOARDS WITH SLIDING DOORS

- Manufactured from stainless steel 1,5mm thickness AISI 304 satin finish.
- The doors of the cabinet are sliding double skinned.
- Optionally there is a locking mechanism or a blade for locking the doors.
- 3 Heavy-duty shelves, adjustable in height from stainless steel sheet AISI 304 satin finish with  $\Omega$  reinforcement.



## ALUMINOX DOUBLE CUPBOARDS WITH HINGED DOORS

- Manufactured from stainless steel 1,5mm thickness AISI 304 satin finish.
- The doors of the cabinet are hinged, double skinned.
- Powerful magnetic closure
- Optionally there is a locking mechanism or a blade for locking the doors.
- 3 Heavy-duty shelves, adjustable in height from stainless steel sheet AISI 304 satin finish with  $\Omega$  reinforcement.

# RACK SHELVES – RACK STANDS



## ALUMINOX PERFORATED OR SOLID RACK SHELVES

- Manufactured from stainless steel 1,0 or 1,5mm or 2mm thickness AISI 304 satin finish.
- Shelves can be placed in any desired combination in height.
- Shelf's surface can be either perforated or solid 3 in total or 4 depending on height
- With Four Stainless Steel Adjustable Legs 1.2 mm Thickness.



## ALUMINOX RACK STANDS

- Manufactured from stainless steel 1,5mm thickness AISI 304 satin finish
- There are three types: a) For laundry baskets, b) For GN Pans, c) For serving trays.
- With special s/s guides adjusted in multiple heights.
- They can be manufactured as single units or multiple ones.
- With Four Stainless Steel Adjustable Legs 1.2 mm Thickness.



# WALL MOUNTED SHELVES

## Wall Mounted shelves normal type.

- Solid stainless-steel shelf 1,5mm thickness.
- Provided with brackets for wall mounting

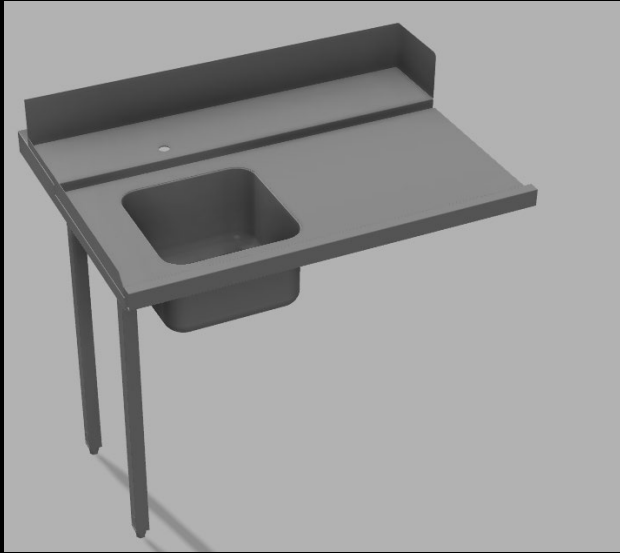
## Wall Mounted shelves Tubular type.

- Tubular 400x400mm stainless steel shelf 1,5mm thickness.
- Provided with brackets for wall mounting
- Can be fixed as a hood shelf

## Wall Mounted shelves For Laundry Baskets

- Special design stainless steel shelf 1,5mm thickness to accommodate laundry baskets
- Provided with brackets for wall mounting

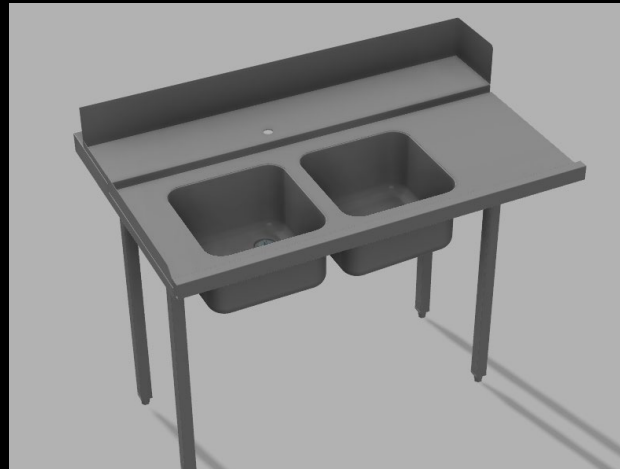
# INLET AND OUTLET WASHING TABLES



Inlet washing table with 1 sink 400x400mm on the left side

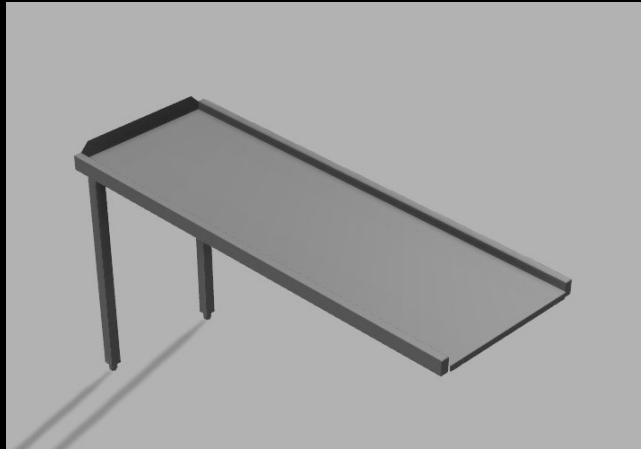
## INLET WASHING TABLES

- From stainless steel 18/10 AISI Satin Finish.
- Special surface with ribs for better durability.
- The work surface has a special design with a slope for draining the water in the direction of the sink.
- Backsplash of 150mm.
- The work surface rests on a frame, bearing a s/s cover in front of the feet. The top has 1.2mm thickness combined with the special ribs, the rigidity and stability is secured.
- Frame is supported on 4 rectangular tubular legs of 40x40mm with 1mm thickness height adjusted.
- The sinks are welded with continuous TIG adhesive and not spot welded. That enhances the construction and durability through time and all distortion or unfixing of the sink from top surface.
- A version extension of the top can be provided so you can accommodate a dishwasher or trash bin underneath.



Inlet washing table with 2 sinks 400x400mm

# INLET AND OUTLET WASHING TABLES



Outlet washing table

## OUTLET WASHING TABLES

- From stainless steel 18/10 AISI Satin Finish.
- Frame is supported on 4 rectangular tubular legs of 40x40mm with 1mm thickness height adjusted.
- Versatile construction, tables can be connected to each type of dishwasher
- Work top is specially designed for the fully loaded laundry baskets to slide easily on top.
- Optionally at the bottom can be placed s/s guides for stacking laundry baskets.



Outlet washing table with rollers

## OUTLET WASHING TABLES WITH ROLLERS

- Same as above but suitably formatted with guide rollers for the proper sliding of the racks from the dishwasher.

# WASHING TABLES 600 - 700MM DEEP CLOSED ON CUPBOARD

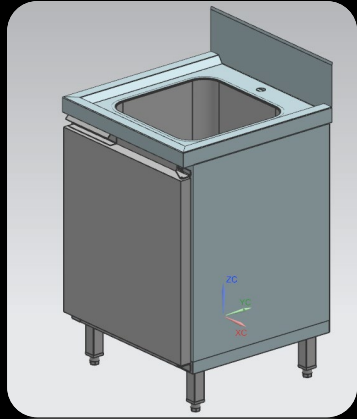


Photo with 1 sink 400x400 and 1 hinged door

## ALUMINOX WASHING TABLES 600 - 700MM DEEP CLOSED ON CUPBOARD WITH HINGED DOORS FROM 600MM UNTIL 1200MM LENGTH

- Stainless steel 1,5mm thickness AISI 304 satin finish, with  $\Pi$  reinforcement from 1,5mm stainless steel AISI 304.
- With sinks 400x400x250
- Cabinet walls from stainless steel 1,5mm thickness AISI 304 satin finish.
- Floor from stainless steel 1 mm thick stainless AISI 304 satin with  $\Omega$  reinforcement.
- Feet adjustable +50mm in height and optional with flange to be bolted or welded on floor.
- Double-skinned reversible doors with inner insulation from 1mm thick stainless steel AISI 304 satin.
- Powerful magnetic closing of doors.
- Optional padlock system for locking the cabinet.
- Feet adjustable +50mm in height
- Splashback 150mm

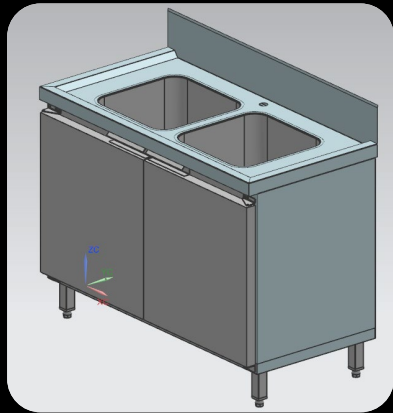


Photo with 2 sinks 400x400 and 2 hinged doors

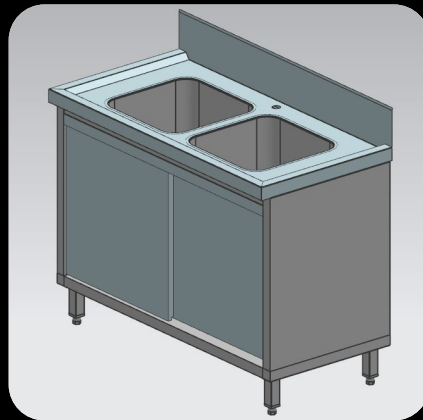


Photo with 2 sinks 400x400 and sliding doors

## ALUMINOX WASHING TABLES 600 - 700MM DEEP CLOSED ON CUPBOARD WITH SLIDING DOORS ONLY 1200MM LENGTH

- Stainless steel 1,5mm thickness AISI 304 satin finish, with  $\Pi$  reinforcement from 1,5mm stainless steel AISI 304.
- With sinks 400x400x250
- Cabinet walls from stainless steel 1,5mm thickness AISI 304 satin finish.
- Floor from stainless steel 1 mm thick stainless AISI 304 satin with  $\Omega$  reinforcement.
- Feet adjustable +50mm in height and optional with flange to be bolted or welded on floor.
- Double-skinned sliding doors with inner insulation from 1mm thick stainless steel AISI 304 satin.
- Powerful magnetic closing of doors.
- Optional padlock system for locking the cabinet.

# WASHING TABLES 600 - 700MM DEEP OPEN

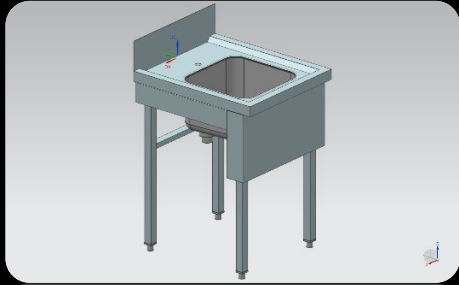


Photo with 1 sink 500x500 on the center

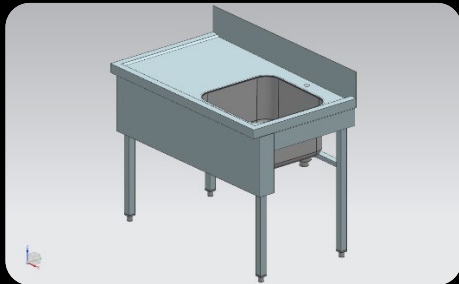


Photo with 1 sink 500x500 on the left side

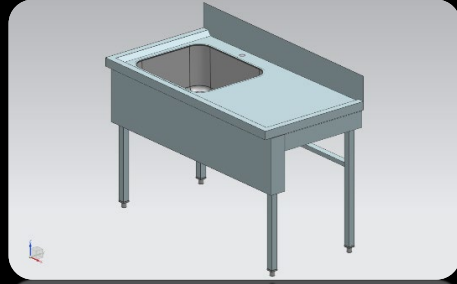


Photo with 1 sink 500x500 on the right side

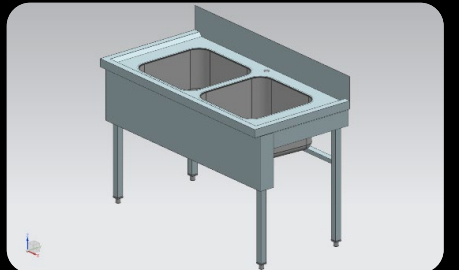


Photo with 2 sinks 500x500 on the center

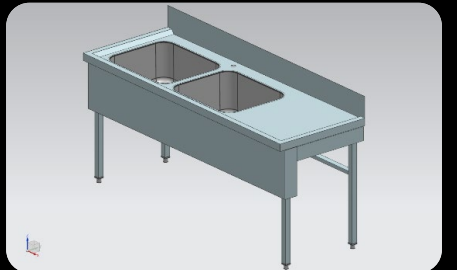


Photo with 2 sinks 500x500 on the left side

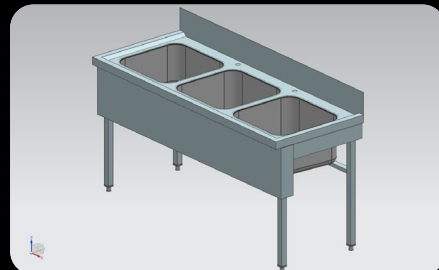


Photo with 3 sinks 500x500

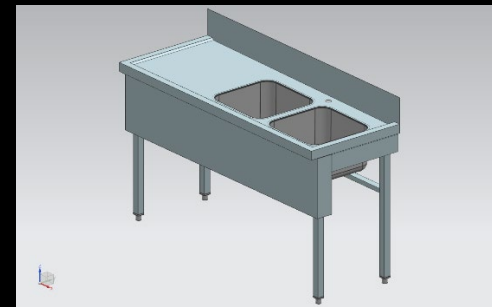


Photo with 2 sinks 500x500 on the left side

## ALUMINOX WASHING TABLES 600 - 700MM DEEP Lenght 1300mm until 2400mm

- Manufactured from stainless steel 1,5mm thickness AISI 304 satin finish.
- Special surface with ribs for better durability.
- Available with sinks 400x400x250 – 500x500x300- 600x500x300x 1285x510x300
- The work surface has a special design with a slope for draining the water in the direction of the sink.
- Backsplash of 150mm.
- Front panelling that covers the sink bowls
- The work surface rests on a frame, bearing a s/s cover in front of the feet. The top has 1.2mm thickness combined with the special ribs, the rigidity and stability is secured.
- Frame is supported on 4 rectangular tubular legs of 40x40mm with 1mm thickness height adjusted.
- The sinks are welded with continuous TIG adhesive and not spot welded. That enhances the construction and durability through time and all distortion or unfixing of the sink from top surface.
- A version extension of the top can be provided so you can accommodate a dishwasher or trash bin underneath.

# WORKING TABLES 600-700mm Deep



Working table with backsplash

## ALUMINOX WORKING TABLES 600 - 700MM DEEP WITH UNDERSHELF OR WITH FREE SPACE

- From stainless steel 18/10 AISI Satin Finish.
- Worktop with «Ω» profile reinforcement for extra durability and stability.
- With undershelf from stainless steel 18/10 Satin Finish with 1mm thickness and special reinforcement of «Π» shaped below, on certain models
- Frame is supported on 4 rectangular tubular legs of 40x40mm with 1mm thickness height adjusted.
- Backsplash height 100mm on certain models
- The entire construction is according to HACCP Regulations.



Working Table with undershelf  
and backsplash



Working Table with backsplash  
2000mm length



Working Table with undershelf and backsplash  
2000mm length

# Dish Receiving Tables

## DISH RECEIVING TABLES

- From stainless steel 18/10 AISI Satin Finish.
- Working top 1.5mm thickness with  $\Omega$  reinforcement underneath
- Antidrip edges and drain
- Framework on four tubular legs 40x40mm with height-adjustable feet
- Suitable connection between the dish receiving table and the washing inlet table.
- Work top is specially designed for the fully loaded laundry baskets to slide easily on top.
- Optionally there is a valve 1 1/2'.
- Optionally there is a hole either for a garbage bin or hole for dumping with plastic coating
- Space under the table trash bin placing the garbage bin.
- Optionally there is a dishwashing basket special shelf, single or double to stack the empty baskets.
- The entire construction is according to HACCP regulations

## OVERSHELVES FOR DISH RECEIVING TABLES

- From stainless steel 18/10 AISI Satin Finish.
- Mounted Upon the Surface of the Dish Receiving Table Such in such a way as to hold the racks of the dishwasher.
- Single or double appropriate for laundry baskets
- Equipped With Special Designed Channel for Water Drainage and full length bar to retain racks at an angle.



Dish Receiving Table with undershelf and space for garbage bin



Dish Receiving Table with undershelf and space for garbage bin and Overshelf for Rack storage

# ACCESSORIES

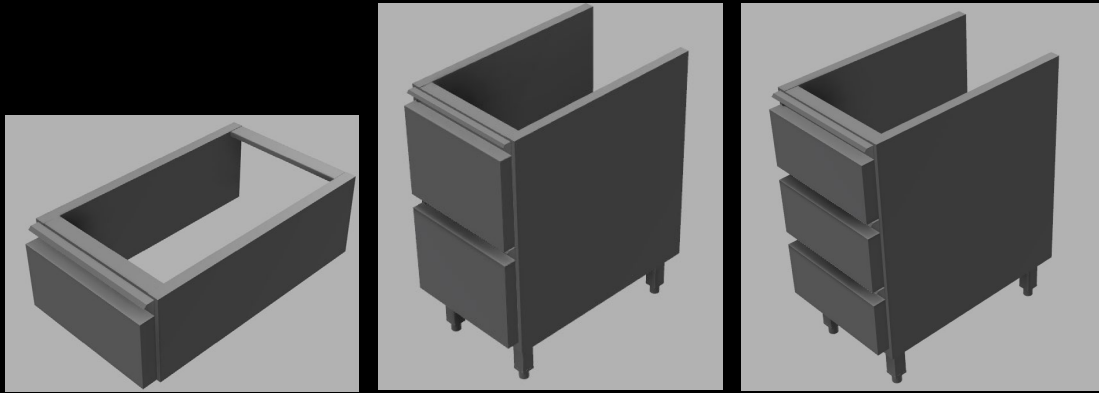


Photo of single – double –triple drawer

## Drawers

- Manufactured from stainless steel 1,5mm thickness AISI 304 satin finish.
- Can be either single – double or triple
- Three drawers with positions for basins GN 1/1 depth 150mm.
- Lock blade with padlock optional.
- Magnetic closure
- Can be adapted to a working table or cupboard or washing table of 600 or 700mm depth

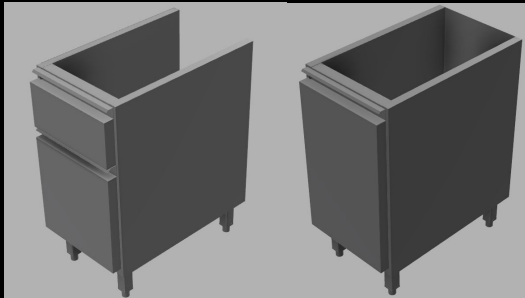


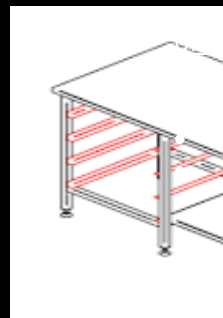
Photo of drawer with tilting garbage bin and single Tilting Garbage bin

## TILTING BIN

- Manufactured from stainless steel 1,5mm thickness AISI 304 satin finish.
- Full height or low height tilting bin.

## TABLETOP OVERSHELVES

- Manufactured from stainless steel 1,5mm thickness AISI 304 satin finish.
- s/s pillars with mounting system on any surface.
- They are single or double and can be equipped with LED lighting or infrared heating lighting to preserve food warm.
- In case of Infrared lighting, heating is adjusted with dimmer thermostat, consequently heating intensity is adjusted to desired user's
- Can be adapted to a working table or cupboard or washing table of 600 or 700mm depth



## WASHER RACK GUIDES

Manufactured from stainless steel 1,5mm thickness AISI 304 satin finish.  
Suitable for storage 4 racks of 500x500mm  
Can be adapted to a working table or cupboard or washing table.

Photo with 2 sinks 500x500 on the center







STAINLESS STEEL  
PROJECTS









THE  
DAIOS COVE  
CRETE

SOVEREIGN  
PARADISE FOUND

Since 1929

U  
n  
i  
n